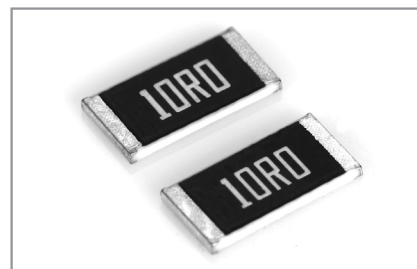


Precision Thin Film Chip Resistors

A thin film precision chip resistor with 2.5ppm/°C TC and 0.05% tolerance as standard. Ni-Cr alloy thin film resistor, which is made by the advanced process deposited on alumina ceramic substrate and offer the features long term stability Applications : Industrial measurement, control electronics and automatic test equipment.



GENERAL SPECIFICATIONS

Model	Power Rating [W]	Maximum Working Voltage[V]	Resistance Range[Ω]	TCR [ppm/°C]	Tolerance [%]
T1206	0.25W	50VDC (E=√[P×R])	25Ω - 50KΩ	Z [±5]	A [±0.05%]
T1210	0.25W				
T2010	0.5W				
T2512	1W				
T3020	2W		1Ω - 100KΩ		

CHARACTERISTICS

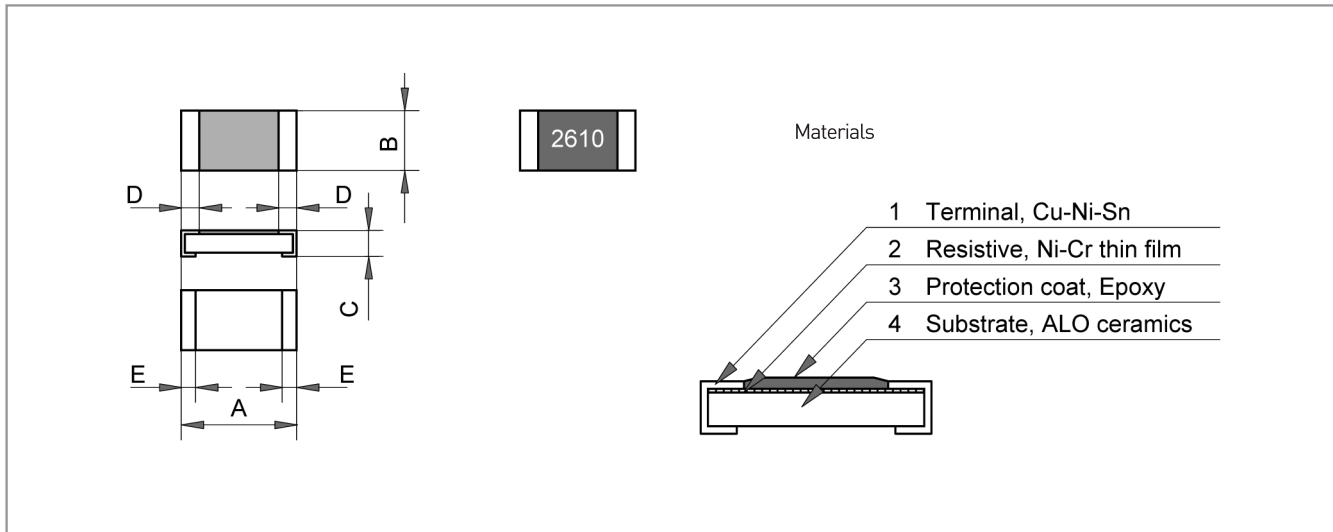
Values in [] mean change in Ω after test

Temperature Range		-25°C ~ +120°C
Dielectric Withstanding Voltage	±0.01%	60seconds Terminal to flange
Humidity	±0.05%	40°C, 90-95% RH, DC 0.1 x Power rating, 1000hours
Vibration	±0.01%	
Load Life	±0.05%	70°C, Power rating, 90minutes on, 30minutes off, 1000hours
Short Time Overload	±0.05%	2.5 x Power rating, 5seconds
Soldering Heat	±0.05%	260°C, 10±1seconds
Solderability	90% coverage minimum	
Solvent	None	
Terminal Strength	±0.05%	
PCT	±0.05%	100hours, Typical
Long Term Stability	±50ppm/year	Room Temperature, Typical

ORDERING PROCEDURE EXAMPLE

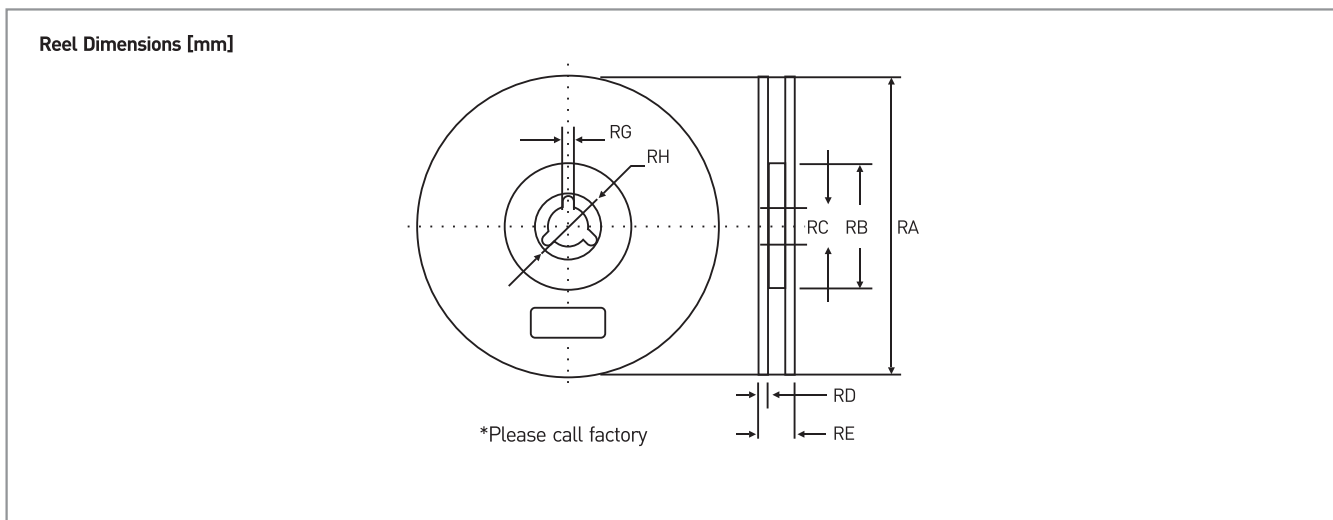
<div style="display: flex; justify-content: space-around; align-items: center;"> <div style="text-align: center;"> <p>T3020</p> <p>↓</p> <p>Model #</p> </div> <div style="text-align: center;"> <p>Z</p> <p>↓</p> <p>TCR Z: ±5ppm/°C</p> </div> <div style="text-align: center;"> <p>1002</p> <p>↓</p> <p>Resistance 1022 E96</p> </div> <div style="text-align: center;"> <p>A</p> <p>↓</p> <p>Tolerance A: ±0.05%</p> </div> <div style="text-align: center;"> <p>Z01</p> <p>↓</p> <p>TCR Z00(Bulk) Z01(Tape)</p> </div> </div> <p>Resistance value * is available following modified E24+ & E96+</p>																	
1	1.02	1.05	1.07	1.1	1.13	1.15	1.18	1.2	1.21	1.24	1.27	1.3	1.33	1.37	1.4	1.43	1.47
1.5	1.54	1.58	1.6	1.62	1.65	1.69	1.74	1.78	1.8	1.82	1.87	1.91	1.96	2	2.05	2.1	2.15
2.2	2.21	2.26	2.32	2.37	2.4	2.43	2.49	2.5	2.55	2.61	2.67	2.7	2.74	2.8	2.87	2.94	3
3.01	3.09	3.16	3.24	3.3	3.32	3.4	3.48	3.57	3.6	3.65	3.74	3.83	3.9	3.92	4.02	4.12	4.22
4.3	4.32	4.42	4.53	4.64	4.7	4.75	4.87	4.99	5	5.1	5.11	5.23	5.36	5.49	5.6	5.62	5.76
5.9	6.04	6.19	6.20	6.34	6.49	6.65	6.8	6.81	6.98	7.15	7.32	75	7.68	7.87	8.06	8.2	8.25
8.45	8.66	8.87	9.09	9.1	9.31	9.53	9.76										

DIMENSIONS [mm]



Model	A	B	C	D	E
T1206-0.25W	3.05±0.2	1.53±0.2	0.70±0.1	0.41±0.3	0.36±0.25
T1210-0.25W	3.05±0.2	2.54±0.2	0.70±0.1	0.41±0.3	0.36±0.25
T2010-0.5W	5.08±0.2	2.54±0.2	0.70±0.1	0.58±0.3	0.51±0.25
T2512-1W	6.35±0.2	3.05±0.2	0.70±0.1	0.58±0.3	0.51±0.25
T3020-2W	7.62±0.2	5.08±0.2	0.70±0.1	0.58±0.3	0.51±0.25

PACKAGING



Model	RA	RB	RC	RD	RE	RG	RH	Quantity per Reel
T1206	Φ180±1.5	Φ60±1	Φ13±0.2	9+1/-0	11.4±1	2±0.5	21±0.8	500pcs
T1210								1000pcs
T2010					2000pcs			
T2512	13.0±1							500pcs
T3020								1000pcs